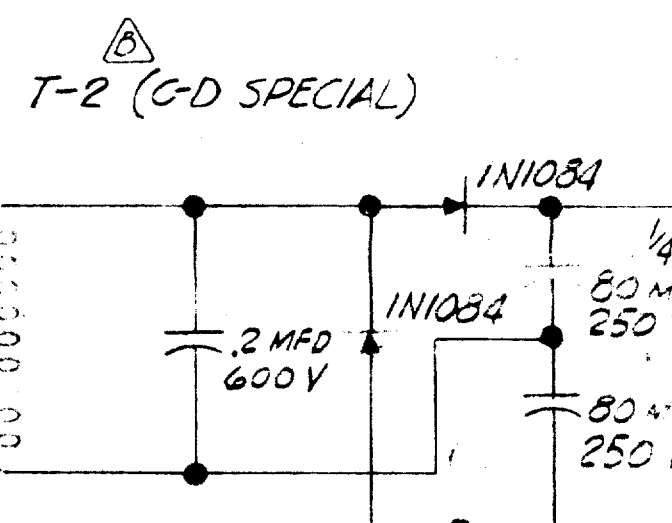
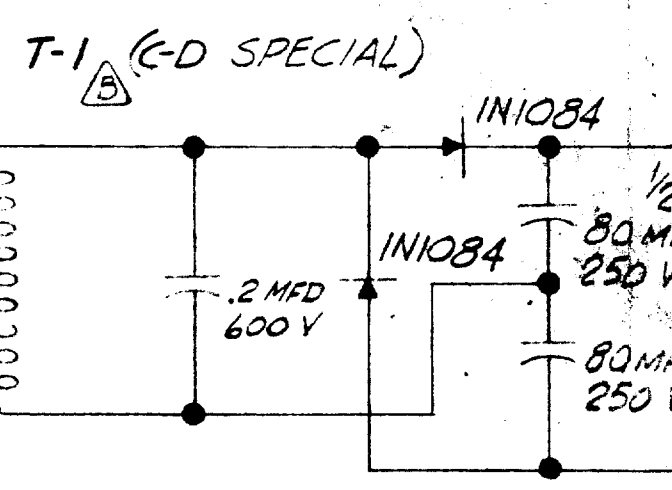
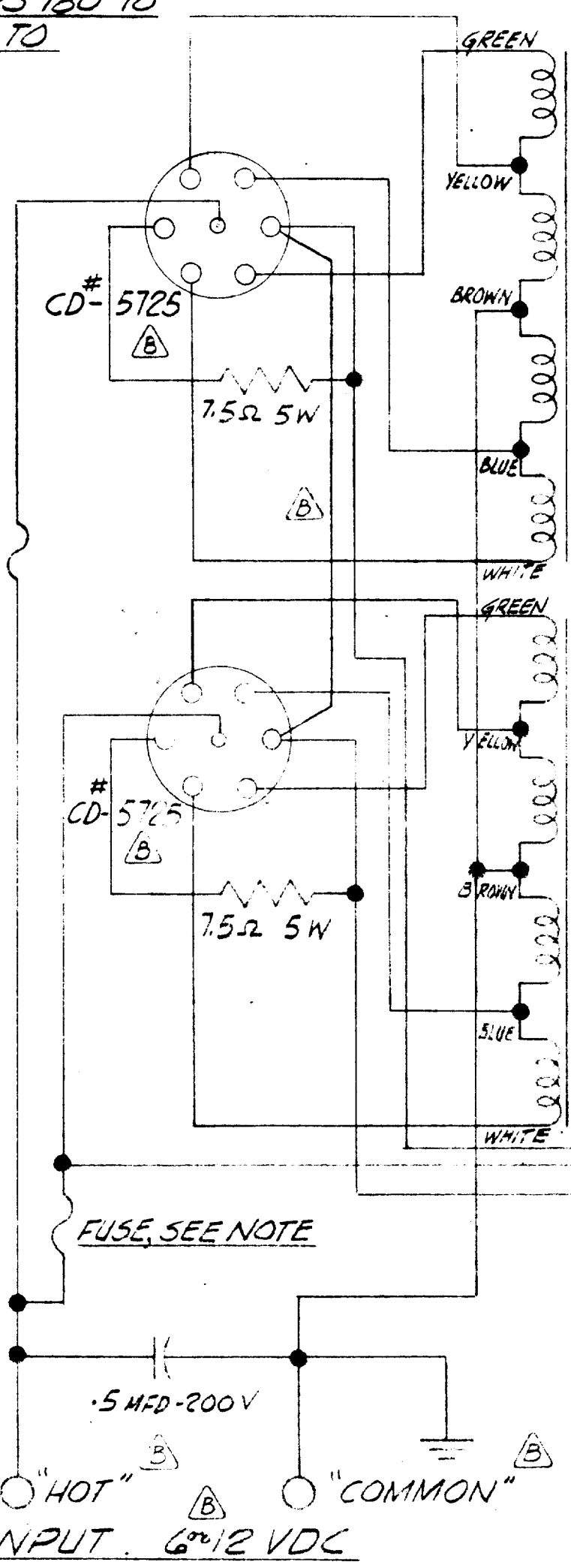


ROTATE VIBRATORS 180° TO CHANGE FROM 6 TO 12 VOLTS



FUSE, SEE NOTE

FUSE, SEE NOTE

NOTE:
 FOR 6 VOLT OPERATION
 EMPLOY 3AG 20 AMP
 FOR 12 VOLT OPERATION
 EMPLOY 3AG 10 AMP

"HOT" "COMMON"
 INPUT 6 or 12 VDC

OUTPUT VOLT
 (a) 285 V.
 (b) 475 V.
 DELIVE

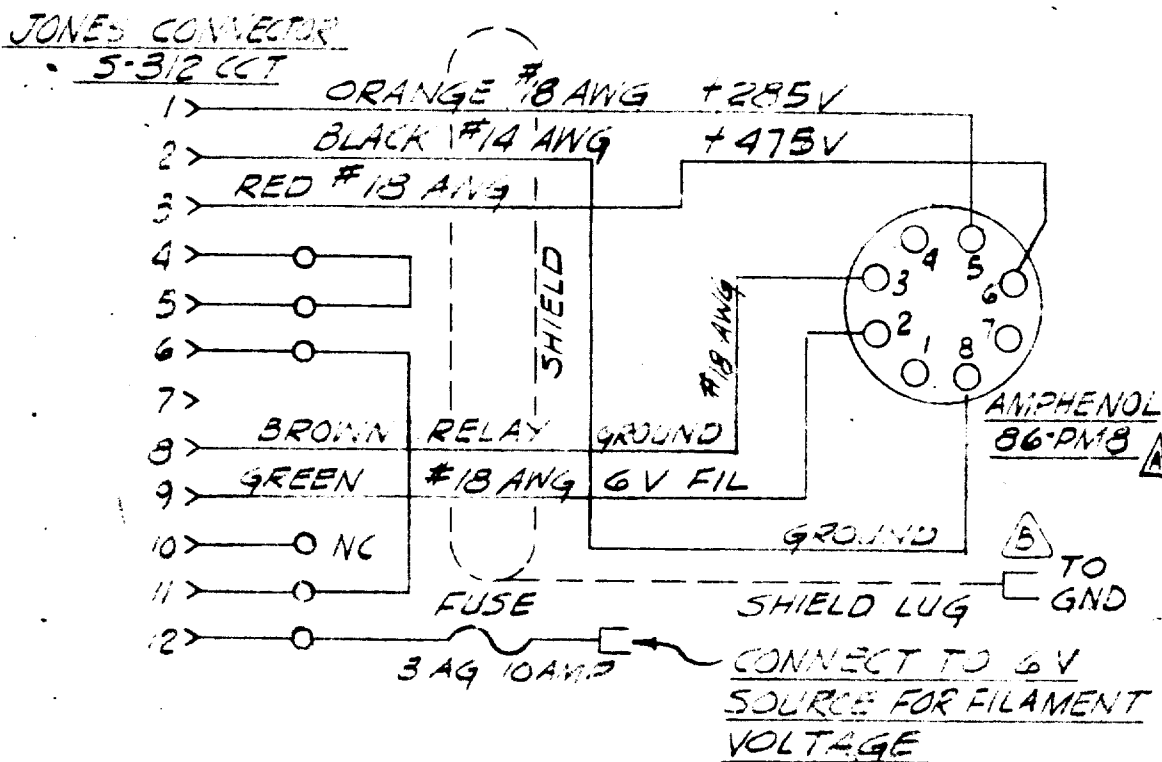
REVISIONS	
REVISED APPROVED	
NO. PER ECHKY	
DATE	
ENG: K. L. GARDNER	
APP: E. K. W. 11-20-57	
REVISED PER	
MARKED-UP PRINT	
PER E. K. W. (R-199)-122	
5-25 FEB. 17, 1958	
CHK: E. K. W. 2-17-58	
DFT: F. W. 2-17-58	
ENG: S. G. 2-17-58	

C-91A1170

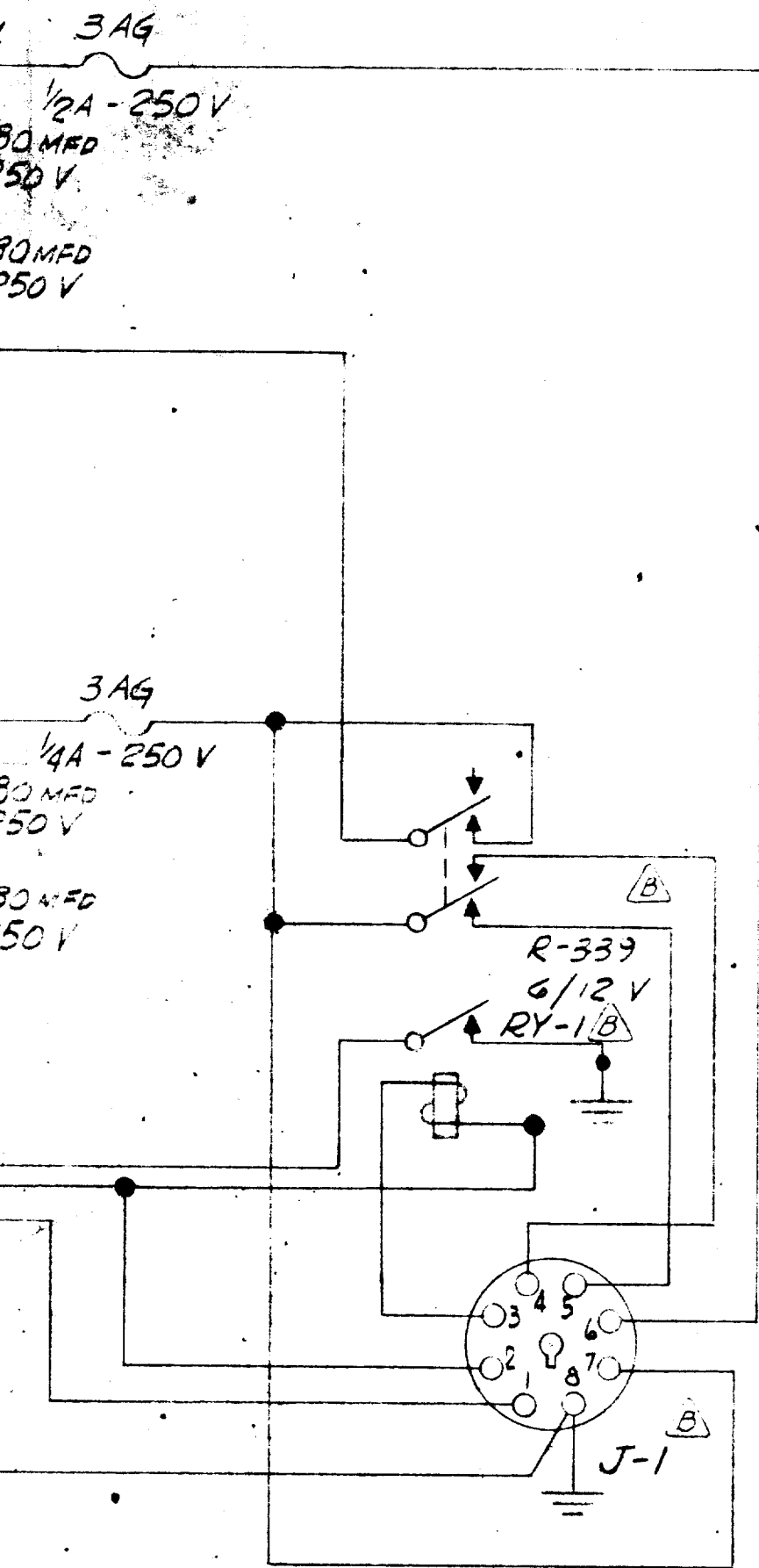
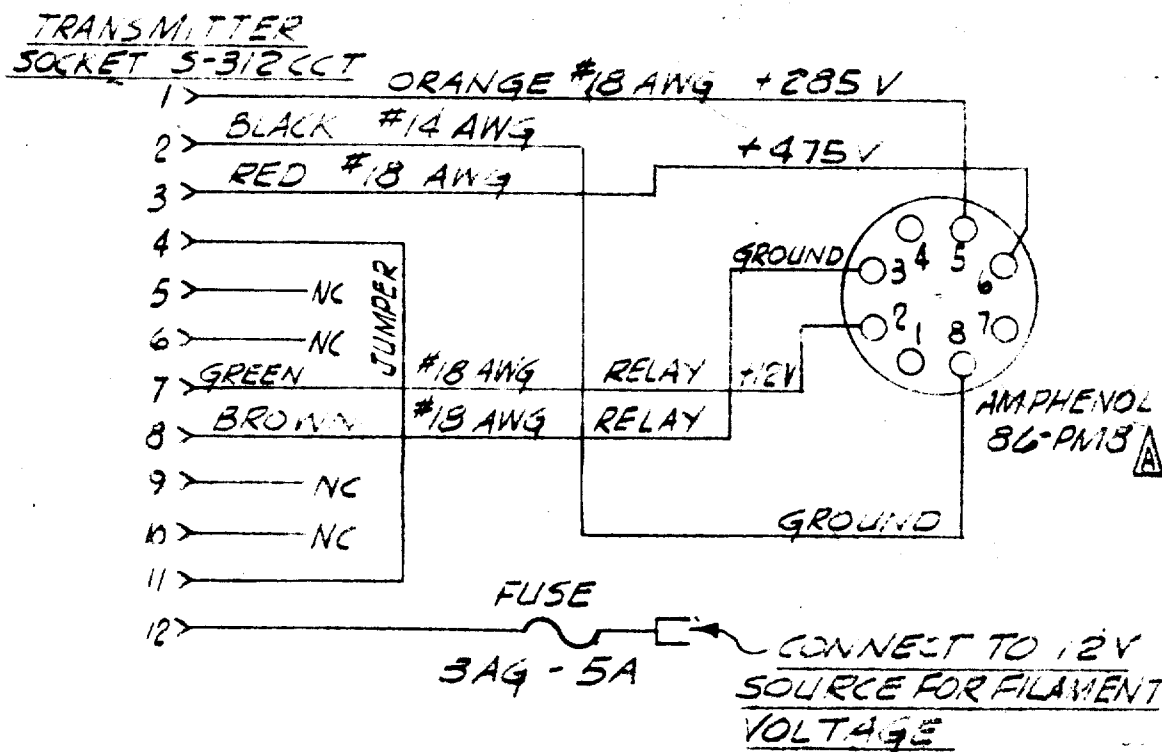
QTY	QTY	QTY	ITEM	SPECIFICATION	FINISH	DESCRIPTION
503	502	501	G	NO		

CABLE WIRING FOR H-W T-90 OR TS-90

FOR 6 VDC USE



FOR 12 VDC USE



VOLTAGES:
 285 V. @ 85 MA. MIN. - TERM. 5 OF J-1 TO GND.
 475 V. @ 175 MA. MIN. - TERM. 6 OF J-1 TO GND.
 DELIVERED SIMULTANEOUSLY WITH RY-1 ENERGIZED.

MATERIAL:

FINISH:

TOLERANCE EXCEPT AS OTHERWISE INDICATED

FRACTIONS ± 1/64
 DECIMALS ± .005
 ANGLES ± 1°

VPS-T91 POWER SUPPLY

FIRST MADE FOR 1-199-BY CORNELL-DUBILIER

DRAWN E. PERRY DATE 10/21/57 DRAFT APP. DATE 11-21-57

CHECKED DATE 11/21/57 ENG. APP. DATE 11-21-57

SCALE

HARVEY-WELLS ELECTRONICS, INC. SOUTHBRIDGE, MASS., U.S.A.

C-91A1170